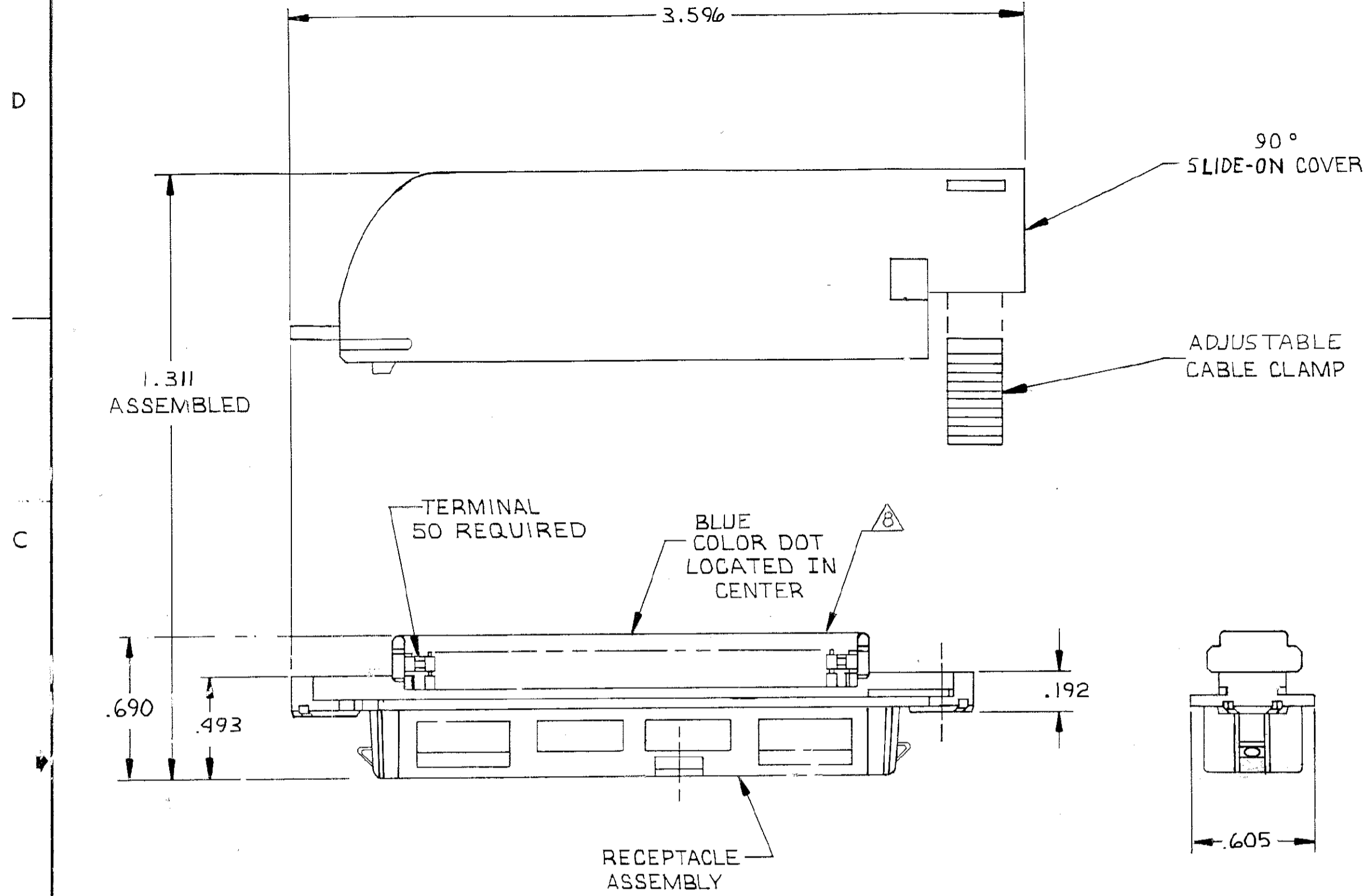
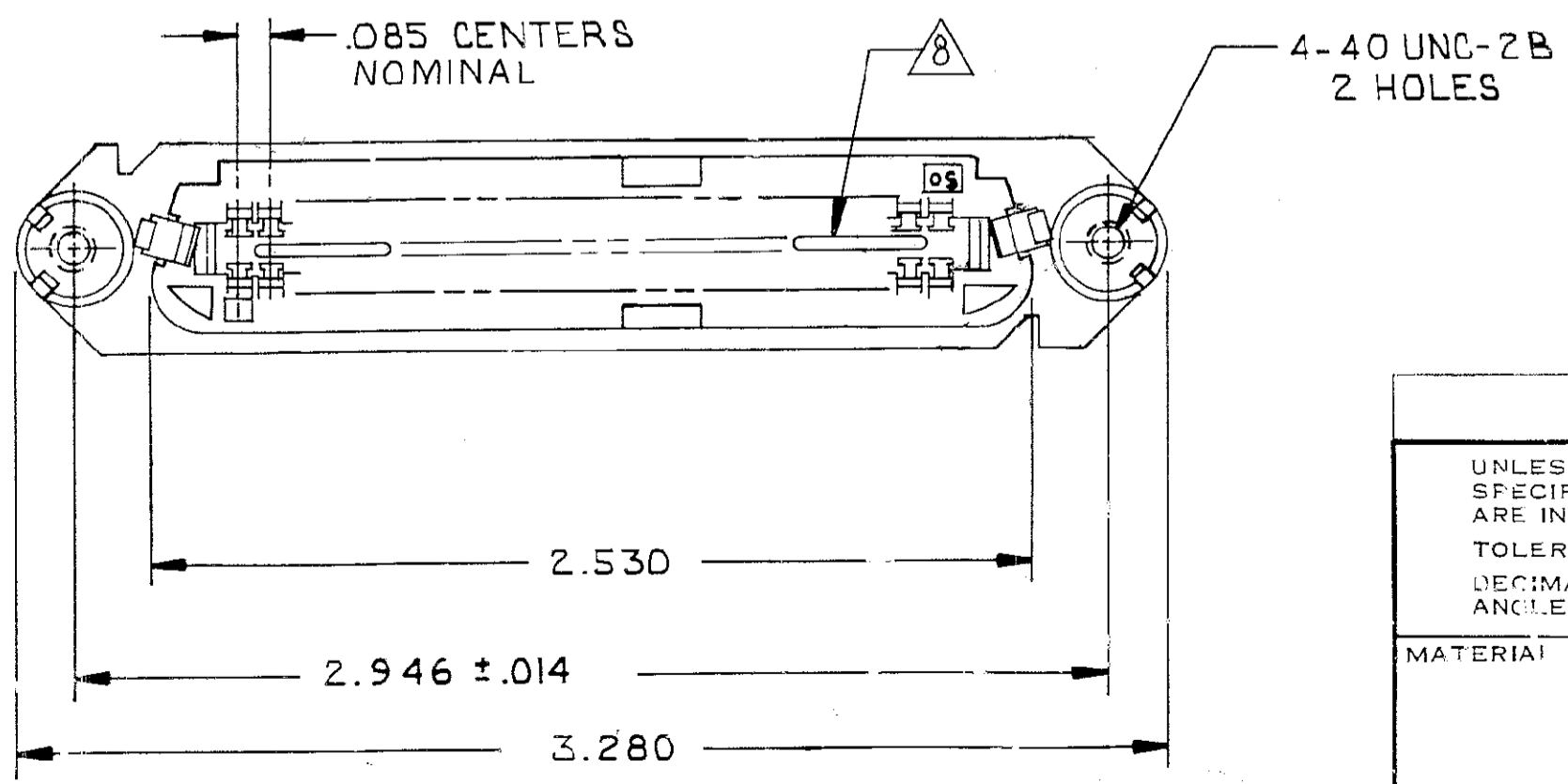


THIS DRAWING IS UNPUBLISHED. RELEASED FOR PUBLICATION 19
 © COPYRIGHT 19 BY AMP INCORPORATED, HARRISBURG, PA. ALL INTERNATIONAL RIGHTS RESERVED. AMP PRODUCTS MAY BE COVERED BY U.S. AND FOREIGN PATENTS AND/OR PATENTS PENDING.

REVISIONS				DATE	APPROVED
P	F	ZONE	LTR	DESCRIPTION	
		F		REV; EC 0040-01	3-19-01 DD EB



1. THE CONTACT SURFACES OF THE TERMINALS ARE COATED WITH LUBRICANT.
2. ALL DIMENSIONS SHOWN ARE MAXIMUM UNLESS OTHERWISE SPECIFIED.
3. MATERIAL: HOUSING, COVER AND CABLE CLAMP - POLYPHENYLENE. TERMINALS - GOLD OVER NICKEL PLATED HIGH STRENGTH COPPER ALLOY.
4. COVER & CABLE CLAMP SHIPPED UNASSEMBLED.
5. WIRE SIZE: 24 & 26 AWG SOLID OR 24 AWG 7 STRANDS OF COPPER CONDUCTORS, MAX. INSULATION DIAMETER OF .045 IS ACCEPTABLE FOR MOST APPLICATIONS.
6. CABLE RANGE: .425 MAXIMUM DIAMETER.
7. KIT SHIPPED POLY BAG FORM.
8. CORING MAY OR MAY NOT APPEAR AND IS AT THE DISCRETION OF AMP INCORPORATED.



GRAY	554547-2
COLOR	PART NO

UNLESS OTHERWISE SPECIFIED DIMENSIONS ARE IN INCHES. TOLERANCES ON: DECIMALS: ± .005 ANGLES: ± .5°	CONTRACT NO	AMP AMP INCORPORATED Harrisburg, Pa. 17105	
	DR <i>B. Simpson</i> 8-28-84		
	MATERIAL	CHK <i>A. Cooney</i> 8-30-84	NAME RECEPTACLE KIT, 50 POSITION, B SLOT, INTEGRAL LOCKING LATCH, 90° COVER, CHAMP-LOK
	FINISH	APPD <i>D. Zammal</i> 9-5-84 <i>P. Kilpatrick</i> 9/5/84	SIZE: C FSCM NO: 00779 DRAWING NO: 554547
	OTHER APPD	SCALE: 2:1	SHEET 1 OF 1

554547